

PRODUCT SHEET

TCIS-4 - 1-BUTTON VOIP STATION WITH LED DISPLAY

We believe communication is always a critical component for any type of business you run or service you provide. That is why we specialize in providing intelligent communication solutions in environments where a standard VoIP telephone cannot be used.

Our products address three key requirements:

- Dynamic noise is very common and can easily interfere with audio quality. How can you provide crystal-clear communication in these environments, where and when you need it, every time?
- How will these products behave on your existing communication platform? Your technicians want a product that is easy to configure, deploy and maintain. Your network administrators want a product that is secure and stable.
- You want a product that uses standard, open network protocols to ensure that the solution you offer today remains versatile and highly scalable.

The TCIS-4 station addresses these key requirements by combining state-of-the-art components with intelligent software algorithms and a functional design.

This particular unit is designed for demanding, outdoor environments and is rated IP66 and IK08. [Find more technical info online.](#)

Instead of paper labels, this versatile unit uses a LED display, which is easily configured using a web browser. The elegant and timeless design also meets ADA requirements.

Our units use the SIP protocol and support G.711, G.722 and G.729.



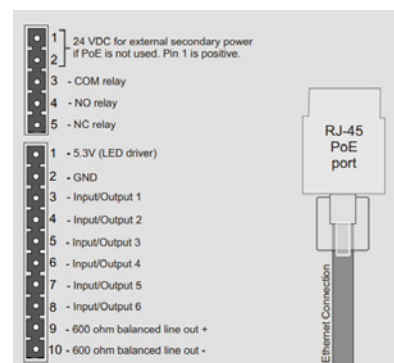
TCIS-4, front



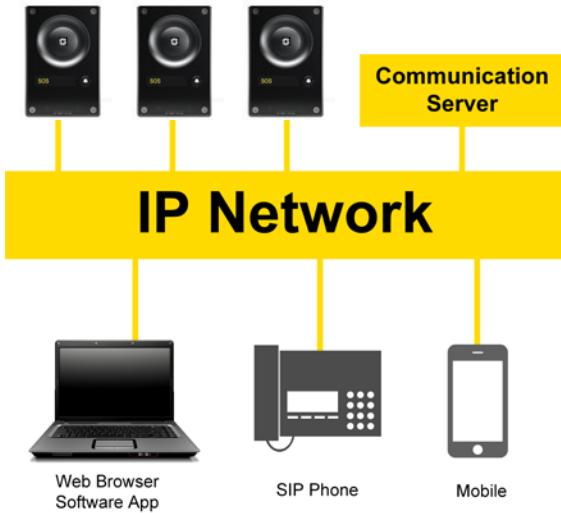
TCIS-4, back

Key Qualities:

- Open Duplex at 95dB, thanks to a anechoic speaker design and rigid aluminum frame.
- Active Noise Reduction (up to 30dB) and Automatic Volume Control allow you to hear, be heard and understood in high-noise environments.
- Digital MEMS microphones capture a much wider spectrum of the human voice, which results in superior audio processing.
- Class-D 10W amplifier with matching 10W speaker allows you to broadcast at up to 105dB.
- Supports a wide set of IP Protocols (SIP, SNMP, HTTP, TFTP, Syslog).
- Configure the units using a standard web browser or, to save time, configure the units in bulk, using a dedicated software tool.
- Control relay and I/Os over IP.
- Powered via PoE or local 24-48 VDC.
- Upload custom audio messages for a better user experience.
- Change LED Label, using a web browser.

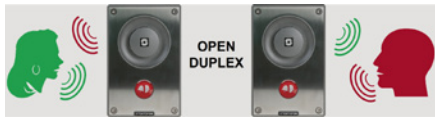


TCIS-4 connectors



Value to the customer

- Expand the communication platform beyond the physical limitations of traditional office telephony equipment.
- Provide Intelligible HD Voice Audio in demanding high noise environments.
- Use these communication points both for two-way communication and paging.
- Use custom audio messages to better inform users.
- Manage and operate from your existing communication platform – no need to run a separate parallel system.
- Use the full benefits of IP technology with open, familiar protocols for maintenance and reporting.
- Powerful onboard processing for audio, IP signal and integration through relays and I/Os.
- LED Labels will not fade over time and are easily updated using a web browser.



Acoustic Echo Cancellation: A rigid design, 10W speaker and amp and digital MEMS microphones make it possible for open duplex, hands-free communication up to 95dB.



Auto Volume Control: A voice that is too loud or too soft will be adjusted to an intelligible signal. The speaker volume will be automatically adjusted to an audible level, depending on the ambient noise levels.



Active Noise Reduction: Our stations will detect the voice and amplify that signal, while suppressing up to 30dB of background noise.

Accessories

1008140010 - TA-1 TURBINE COMPACT ONWALL BOX

Size (WxHxD): 120 x 180 x 62mm



[Find more detailed information about TA-1 online.](#)

1008140050 - TA-5 BRACKET FOR US 2 GANG DOUBLE DEPTH BACK BOX

Size (WxHxD): 109 x 169 x 10 mm



[Find more detailed information about TA-5 online.](#)

VINGTOR-STENTOFON by Zenitel

Communication is critical in all areas of business, therefore our expertise is focused on providing intelligent communication solutions that allow you to hear, be heard and be understood, every time.

Zenitel systems interface with other security systems including CCTV, access control and alarm for a comprehensive security solution.

Our primary system offering is within Public Address, Intercom and Radio. Our key markets include: Building Security, Public Safety, Transportation, Industrial Manufacturing, Energy and Maritime.

Zenitel systems provide high availability, scalability, reliability, maintainability, and cyber defensibility. By reducing hardware to a minimum, and keeping the benefits of centralized server management, organizations have more flexibility in scale and performance.