

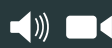


zenitel

because communication is critical

TCIV+

Turbine Compact Intercom
Video station



Empowering Intelligent Communication

Hear, be heard and be understood - See, be seen and be recognized - Powered and driven by Turbine.

Crystal-clear audio and HD video

Introducing the TCIV+ – a video intercom solution that combines the unrivaled audio of our Turbine Compact Series with HD video. Empower your security team with the proven power of Turbine, so they can act in real time and with clear communication.

With Zenitel's new TCIV+ video intercom, you can mitigate security risks faster than ever before, through

a unique combination of exceptional video, voice and powerful audio amplification for announcements.

The sleek, yet robust TCIV+ is designed to withstand harsh situations including extreme fluctuations in temperature, in addition to vandalism, and noisy, dirty and dusty environments.



HD video

Powerful Video Technology: The new Turbine TCIV+ video intercom station packs crystal-clear HD video technology within the same form factor as the Turbine Compact (TCIS) range. That means that installation, functionality and capabilities are exactly as you expect from any other Turbine, with the bonus of superior HD video, providing an intelligent communication solution for any situation.

Interoperability and Reliability: This product integrates easily with most systems on the market, old or new. The wide-angle lens delivers excellent performance, day or night.



Superior audio quality

Acoustic Echo Cancellation: The TCIV+'s rigid design, 10W speaker and amp and digital MEMS microphones provide you with open duplex, hands-free communication.

Automatic Volume Control: TCIV+ can adjust a voice that is too loud or too soft to an intelligible signal. The speaker volume automatically adjusts to an audible level, depending on the ambient noise levels.

Active Noise Reduction: The TCIV+ will detect background noise and suppress it by up to 30 dB.

High-performance design

Dependable Audio and Video: Since its early design and development, our best-selling Turbine Intercom family has delivered high audio performance in every situation where communication is critical. Our new HD video has also been designed to perform when it matters.

Vandal-Resistant Design: The station is extremely well protected from damage and destruction, thanks to its solid aluminum, die-cast base frame. The speaker is protected from tampering, with speaker-grill angles that prevent direct to the speaker, as well as a rigid, audio transparent stainless-steel mesh, with perforations small enough to withstand perforation attempts.



Cybersecurity to keep systems safe

IT Compliance Is Key: When developing products, we always meet stringent IT requirements for mission-critical systems. The TCIV+ is not only highly available, reliable and maintainable, but also provides defense from cyber threats and attacks.

CIS SecureSuite Membership: Through our membership, we further strengthen our cybersecurity defenses by leveraging CIS SecureSuite resources, including CIS Benchmarks, security configuration resources, and CIS Controls, to ward off today's most pervasive and dangerous cyber attacks.



Key features & benefits

Clear communication that all parties can understand on the first attempt is critical to every security application. The new Turbine TCIV+ video intercom achieves this through a wide array of innovative features that extend the limits of audio, video and acoustic technology.

Explore TCIV+'s unique combination of robustness, high-quality audio, first-class video, powerful amplifier and speaker, and interoperability.

EXCEPTIONAL VIDEO

- High resolution, up to 1080p
- Frame rate up to 30 per second
- Wide angle lens, Field of View 145o horizontal 109o vertical
- Digital zoom and pan
- MJPEG and H.264
- Low-light performance down to 1 lux

CRYSTAL-CLEAR AUDIO

- Active Noise Reduction up to 30 dB
- Acoustic Echo Cancellation
- Open duplex up to 90 dB
- Automatic volume control
- Automatic gain control
- 10 watt speaker & amplifier
- Announcements (half duplex) up to 100 dB
- Turbine speaker design

PERFORMANCE

- Dual image
- CPU cores: 4 x Cortex-A53
- CPU Clock speed: 1.6 GHz
- RAM 4Gbit LPDDR4
- Flash 1 Gbyte
- SD Card Slot

ATTRACTIVE, ROBUST DESIGN

- Vandal resistant design
- H180xW120xD24 (flush mounted) mm
- IP66 - Dirt, dust and water resistant
- IK 8/10 (excluding lens)
- UV resistant
- LED light display buttons
- Durable die-cast aluminum frame
- Supports a wide set of IP and networking standards
- Ideal for building security and public environments
- Designed according to Disability Act requirements



BOARD CONNECTORS

- 6 programmable Inputs/Outputs
- 1 programmable relay
- PoE & PoE+
- Local power: 24-V DC - 48-V DC
- Power out: 5-V
- Line out



SEE IT IN ACTION!

To see more of the TCIV+ and get inspired, check out our new promotional video. Simply scan the QR code at right to view.

Scan QR code



Single product range – 3 different platforms

Invest in a product that keeps pace with changing technology, while anticipating and securing your future communication needs. Our equipment and devices can be used on 3 different platforms, each of which caters to a specific set of communication requirements.

ICX-AlphaCom

ICX-AlphaCom is all about integration. All communication devices come together on the ICX-AlphaCom platform to integrate with the overall building management system. This allows powerful tools such as voice and audio in maintaining building security.



ICX-AlphaCom

IC-EDGE

IC-EDGE is a serverless communication platform that's embedded in our IP Intercom and IP PA devices. Easy to deploy, use and maintain. Ideal for SMB companies.



IC-EDGE System

SIP

We understand that some customers prefer to keep the number of servers and other hardware to a minimum. All our devices support the SIP protocol, enabling them to be used in any VoIP communication platform that supports SIP.



SIP



Our Turbine family

The Zenitel Turbine Series provides innovative features and a cutting-edge design that has changed the way that intercom and intelligible communication are discussed and used to mitigate security risks.

All stations in the Turbine series utilize the latest technology and Zenitel's 70+ years of experience in the audio communications industry to create unrivaled audio quality.

TCIV+ IP video intercom



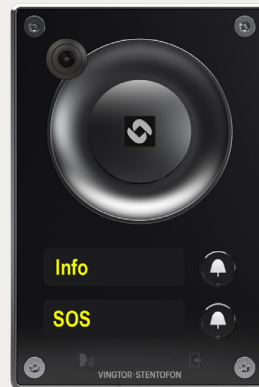
TCIV-2+
1008315020

- Wide-angle lens
- Stainless steel front plate with one button



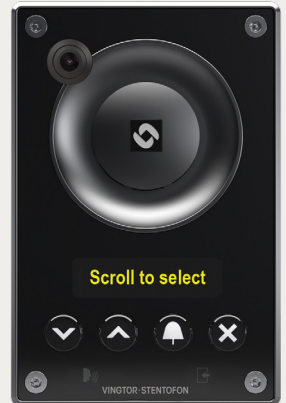
TCIV-3+
1008315030

- Wide-angle lens
- Black thermoplastic front plate with one button



TCIV-5+
1008315050

- Wide-angle lens
- Black thermoplastic front plate with two labelled buttons
- PMOLED display



TCIV-6+
1008315060

- Wide-angle lens
- Black thermoplastic front plate with scrolling call buttons
- PMOLED display

Video and VoIP intercom module



TKIV+ / 1008331010

CPU module
Camera module

VoIP intercom module



TKIS-2

TCIS, IP intercom



TCIS-1



TCIS-2



TCIS-3



TCIS-4



TCIS-5



TCIS-6



TCIS-C1

TMIS, Mini intercom TMIV+, Mini video intercom



TMIS-1



TMIS-2



TMIV+



TMIS-4

TFIE, Industrial IP intercom



TFIE-1



TFIE-2



TFIE-6

TFIX, Explosion Proof IP intercom



TFIX-1-V2

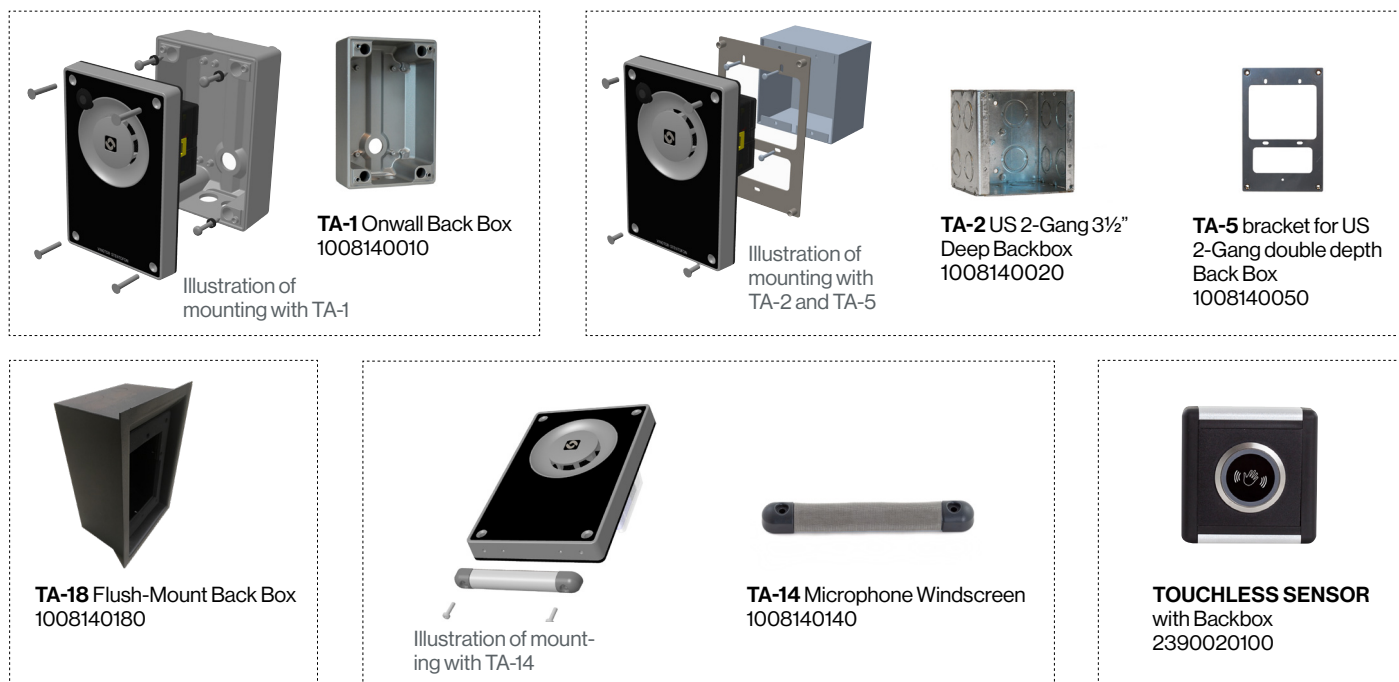


TFIX-2-V2



TFIX-3-V2

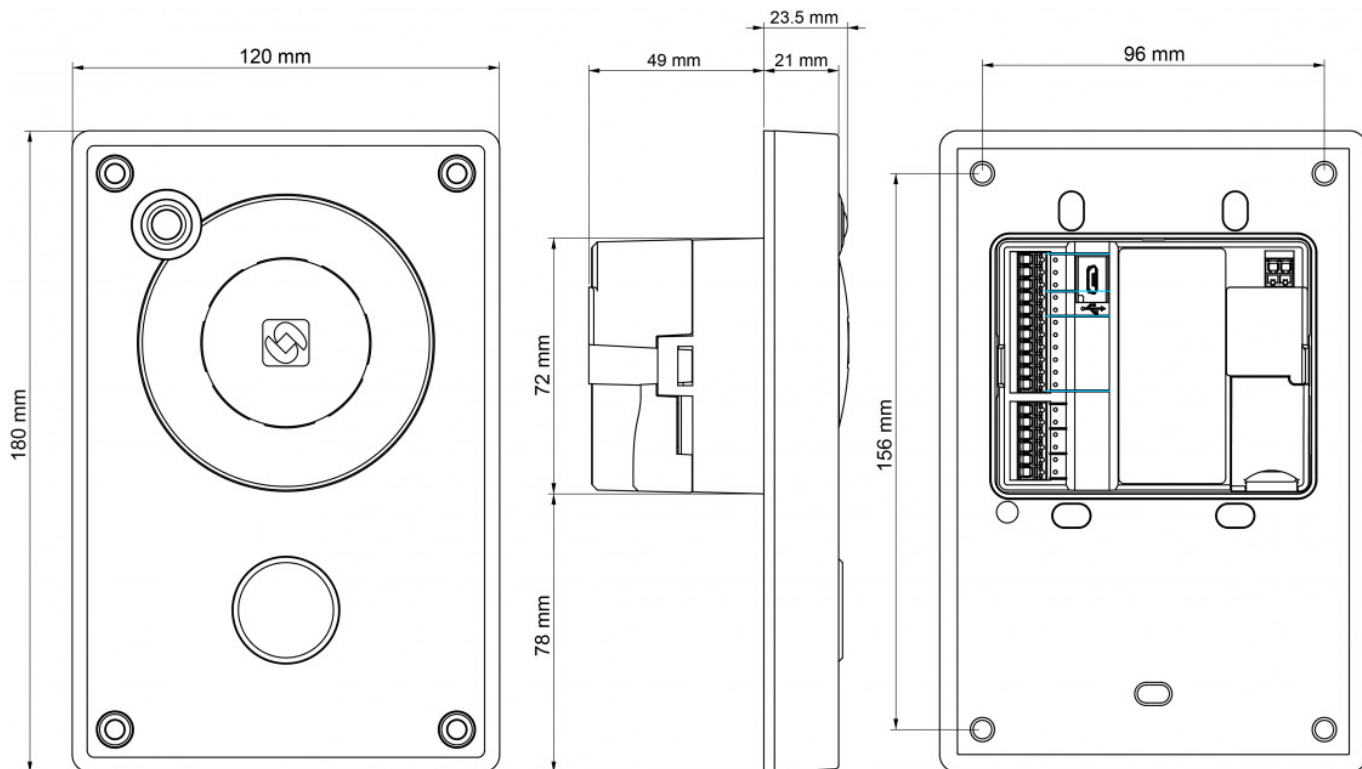
Accessories



Dimensions

This drawing shows our TCIV-2/3+, which has the same dimensions as all TCIV+ stations.

H180xW120xD23,5
(flush mount) mm



Hear, be heard, and be understood

– every time and everywhere

Why Zenitel?

Zenitel is well positioned to drive the future of intelligent critical-communication solutions. Through our portfolio of IP products & solutions, with built-in intelligence and a focus on cybersecurity, we provide organizations with superior, scalable security and flexibility. Zenitel is the proven, preferred choice for environments requiring crystal-clear audio to ensure the protection of human life, property, assets and the management of critical activities. With interoperability at all levels, we seamlessly integrate with access control, video management and security platforms.