



VR3G-1
VR3G-1P

Vandal Resistant IP and SIP Intercom
Mounting & Installation Manual

A100K12226
v1.3

EN

About

This document serves as a mounting and installation guide for the VR3G-1 and VR3G-1P Vandal Resistant IP and SIP Intercom Stations.

For more information and instructions on configuration of the VR3G-1 and VR3G-1P go to wiki.zenitel.com/wiki/Main_Page.

The Vandal Resistant series consists of the following components:

Item Number	Item Name	Description
1008021010	VR3G-1	Vandal resistant 3 gang 1 button IP and SIP Intercom
1008021015	VR3G-1P	Vandal resistant 3 gang 1 button (piezo) IP and SIP intercom
1008098300		3 Gang Flush Mount back box

Safety information

This manual contains important instructions that must be followed. These instructions are intended to ensure that the product is mounted and installed correctly to avoid equipment damage or property loss.

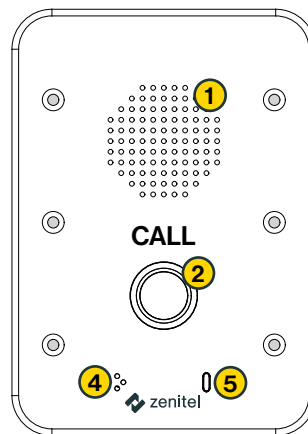


A note symbol indicates that extra care must be taken. Damage to equipment can occur, or it may not function as intended. Please read all warnings before installing this product.

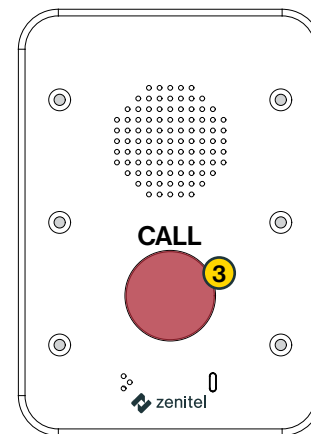
The station should be installed by a competent person in accordance with national and local regulations. Zenitel takes no responsibility for damages caused by improper or inadequate installation.

Description

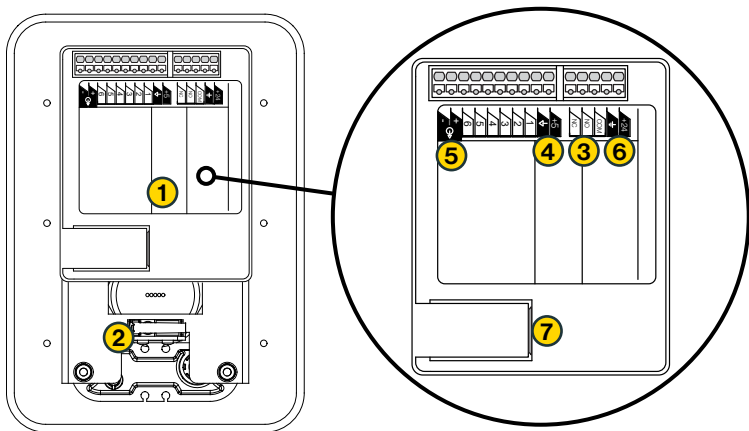
VR3G-1



VR3G-1P



Item	Description
1	Speaker
2	Call Button
3	Piezo Call Button
4	Microphone
5	LED



Installation

VR3G-1/VR3G-1P can be powered by PoE. This is done by connecting an Ethernet cable to the **LAN port** of the station and a PoE switch.

! NB! If PoE is used, the station must be installed using a shielded Ethernet cable with grounding at the switch end.

If the switch does not support PoE, a 24VDC power supply can be connected to the stations **Power Input**.

! If an external power supply is being used, please make sure the power supply matches the station.

Mounting

Mounting considerations

Check the specification of the product for the installation environment.

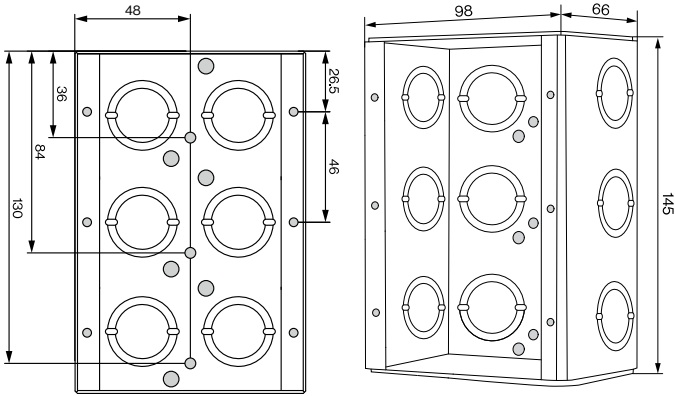
! To achieve the vandal resistance the stations are designed for, the intercoms must be flush mounted.

! To ensure the IP66 rating and that nothing can penetrate behind the edge of the intercom, it must be mounted on a surface that is completely planar.

Item	Description	Comment
1	CPU Module	
2	Tamper Switch	Connected to input #4
3	Relay	Double Throw relay contact with 60W switching power. COM, NO, NC contacts are provided. Max: 250VAC/220VDC, 2A, 60W.
4	I/O interface	6 general purpose I/Os. Each I/O can be configured either as an input or 12mA LED driver output
5	Line Output	Balanced 600 ohm audio line out. Suitable for e.g. external induction loop amplifier
6	Power Input	Optional 24VDC power input from external power supply
7	LAN Port	10/100/1000Mbps RJ-45 port connecting to Ethernet. PoE/PoE+ is supported.

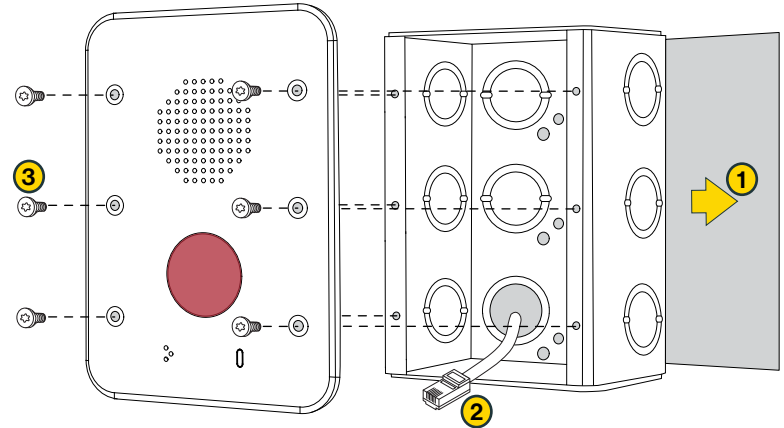
Flush mounting

When flush mounting vandal resistant station, use the **3 Gang Flush Mount back box**.



all dimensions in mm

- Ready one of the prepunched holes in the backbox for power and network wiring.
- Have the necessary cables ready before starting the mounting procedure.



- 1 Insert and secure the **3 Gang Flush Mount back box** into designated slot in the wall. Make sure that the box is squarely mounted and the front surface flush with the wall surface.
- 2 Plug the Ethernet cable into **LAN port** on the station. If the switch does not support PoE, a **24VDC Power Supply** can be connected to the stations **Power Input**.
- 3 Mount the **Vandal Resistant Station** onto the back box with the 6-32 UNC X 3/4 fasteners provided. Apply 1.5 Nm / 1.1 lb-ft torque.

! Make sure the **Tamper Switch** is properly connected to the back end of the back box.

! Retighten the screws after mounting, as the gasket behind the front plate will get compressed.

Get started

When the Vandal Resistant Station is connected to the network, its IP address is automatically obtained from a DHCP server or an IP address in the range 169.254.xx will be assigned.

To make the station speak its IP address, press the **Call Button** on the station.

The Vandal Resistant Station can operate in three different modes, ICX-AlphaCom, Edge and SIP, depending on what kind of server it is registered to. Enter the link or scan the QR-code below to go to Zenitel Wiki for configuration instructions.

Zenitel Wiki: wiki.zenitel.com/wiki/Main_Page.



Contact Information

Visit zenitel.com to find your country's contact information.



Specifications

Technical specifications	Value
Weight	0.74 kg
Dimensions (HxWxD)	160 x 114 x 60mm
IP Rating	IP66
IK Rating	IK10
Relative humidity	< 95% not condensing
Operating temperature range	VR3G-1: -40° to 70° C / -40° to 158 ° F VR3G-1P: -20° to 75° C / -4° to 167 ° F
Encapsulation material	A4 Steel
Power Options	PoE, PoE+, 24VDC PSU
PoE (power over Ethernet)	IEEE 802.3af standard
Power consumption	Idle 1.8W, max 12W (depending on volume)



The WEEE Directive does not legislate that Zenitel, as a 'producer', shall collect 'end of life' WEEE.

This 'end of life' WEEE should be recycled appropriately by the owner who should use proper treatment and recycling measures. It should not be disposed to landfill.



Many electrical items that we throw away can be repaired or recycled. Recycling items helps to save our natural finite resources and also reduces the environmental and health risks associated with sending electrical goods to landfill.

Under the WEEE Regulations, all new electrical goods should now be marked with the crossed-out wheeled bin symbol shown.

Goods are marked with this symbol to show that they were produced after 13th August 2005, and should be disposed of separately from normal household waste so that they can be recycled.



zenitel

because communication is critical

Hear, be heard, and be understood – every time and everywhere

DOC. NO.

A100K12226v1.3

sales@zenitel.com



Zenitel and its subsidiaries assume no responsibility for any errors that may appear in this publication, or for damages arising from the information therein. Zenitel, Vinglor-Stentofon and Phortech products are developed and marketed by Zenitel. The company's Quality Assurance System is certified to meet the requirements in NS-EN ISO 9001. Zenitel reserves the right to modify designs and alter specifications without notice. ZENITEL PROPRIETARY. This document and its supplementing elements contain Zenitel or third-party information which is proprietary and confidential. Any disclosure, copying, distribution or use is prohibited, if not otherwise explicitly agreed in writing with Zenitel. Any authorized reproduction, in part or in whole, must include this legend. Zenitel – All rights reserved.